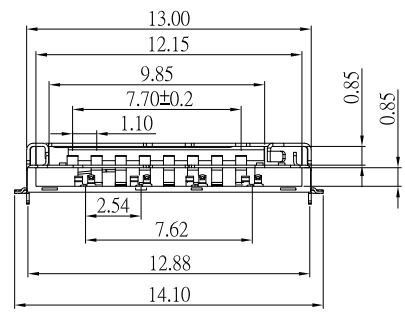


PCB LAYOYT



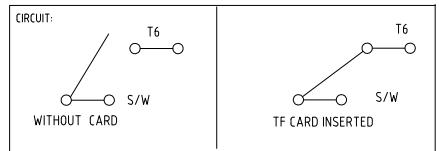
TF CARD PIN ASSIGNMENT

PIN NO.	PIN ASSIGNMENT
T1	DAT2
T2	CD/DAT3 <sup>2</sup>
T3	CMD
T4	VDD
T5	CLK
T6	VSS
T7	DATO
T8	DAT1

SIM pin assignment	
	Name
C1	VCC
C2	RST
C3	CLK
C4	Reserved
C5	GND
C6	VPP
C7	I/O
C8	Reserved

SPECIFICATION

- Electrical :
- 1.Current Rating: 0.5A , AC/DC
  - 2.Contact Resistance: 100 mΩ Max.
  - 3.Insulation Resistance: 500 MΩ Min.
- Environmental:
- 1.Operating Temperature: -20°C ~ +85°C.
- Material:
- 1.Housing: LCP
  - 2.Contact: Copper Alloy
  - 3.Shell: Stainless Steel
- Finish:
- 1.Contact: Plated Gold in Mating Area ;  
Tin Plated on Solder Balls ;  
Nickel under plated overall
  - 2.Shell: Nickel under Plated surface layer



**CONTACT** 建倚科技股份有限公司  
CONTACT TECHNOLOGY CORP.

TOLERANCE UNLESS OTHERWISE STATED :  
Up to 5 ±0.2  
Above 5 ~ 15 ±0.3  
Above 15 ~ 30 ±0.4  
Above 30 ~ 50 ±0.5  
Angle ±0.3

3RD. ANGEL'S

UNITS MM

DRAWN BY:	DATE	MAT'L	TITLE	CONNECTOR
Jack Lu	04/24/20			
CHECKED BY:	DATE	FINISH	MODLE	MICRO SD + MICRO SIM 卡座二合一
Jacky Chen	04/24/20			
APPROVED BY:	DATE	SCALE	DWG NO.	MSISD-003-S267
Tony Kao	04/24/20	1 : 1	PART NO.	MSISD-003-S267
		SHEET NO.	1 of 1	SIZE A4
				VER R1

ITEM NO.	DESCRIPTION	DRAWN	DATE
1	更新圖面	Jack	042420